

# BOSS CH-1

## SUPER CHORUS

# SERVICE NOTES

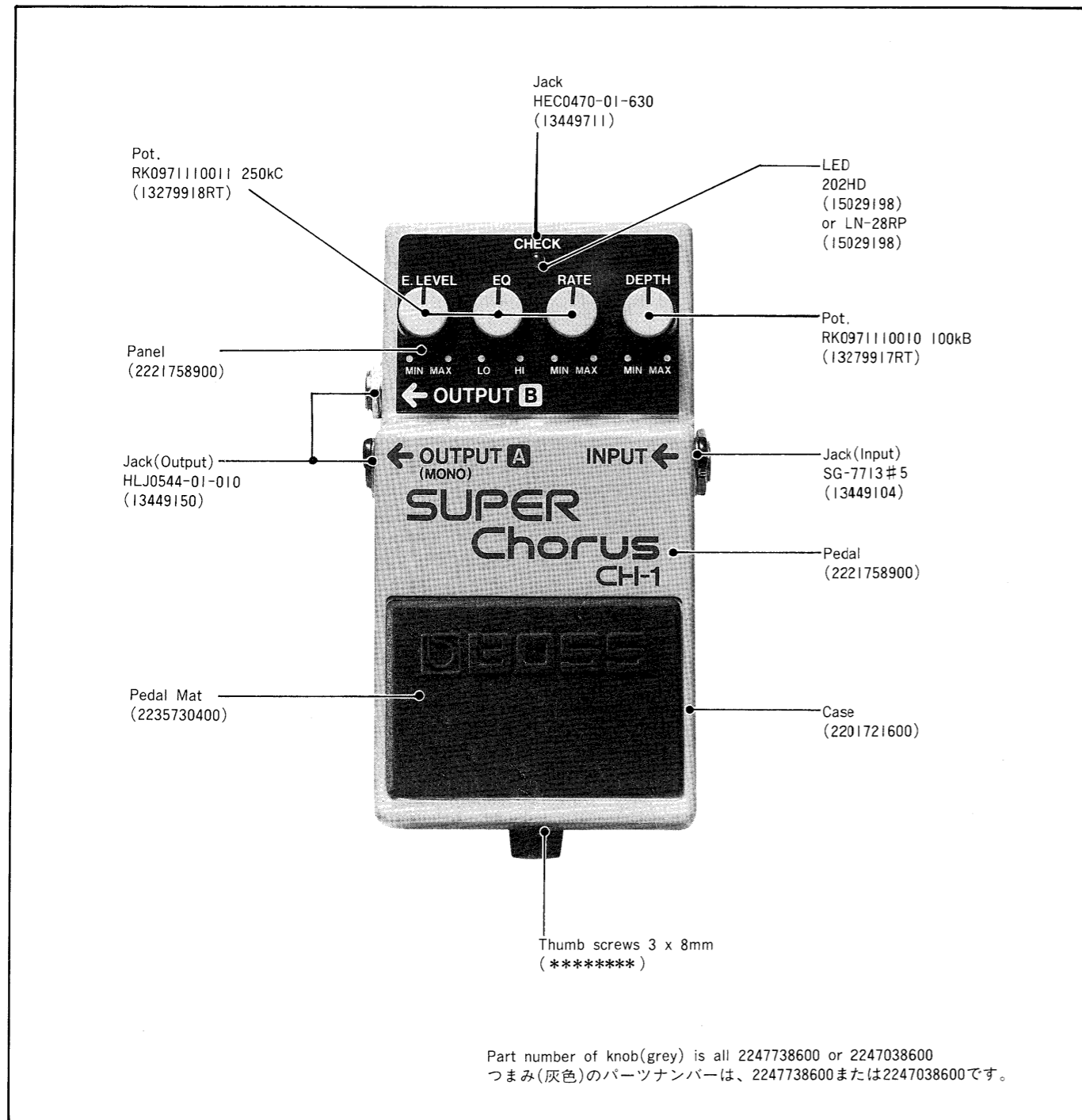
First Edition

### SPECIFICATIONS

<b>Power Source</b>	: 9V DC(9V Battery(006P)x 1, AC Adapter(PSA series))	<b>Dimensions</b>	: 70(W) x 55(H) x 125(D) mm 2-3/4 x 2-3/16 x 4-15/16 inch
<b>Current Draw</b>	: 15mA (9V DC)	<b>Weight</b>	: 400g /14 oz.
<b>Residual Noise</b>	: Less than -95dBm(IHF-A) with EQ set to the center position	<b>Accessory</b>	: Owner's Manual(English) 取扱説明書 9V Battery(006P) x 1 (12569103RT)
<b>Input Impedance</b>	: 1MΩ	<b>Options</b>	: AC Adapter(PSA-120,220,240)
<b>Maximum Output level</b>	: 100Hz -3dBm , 1kHz -10dBm		
<b>Output Load Impedance</b>	: Over 10kΩ		

### PARTS LIST

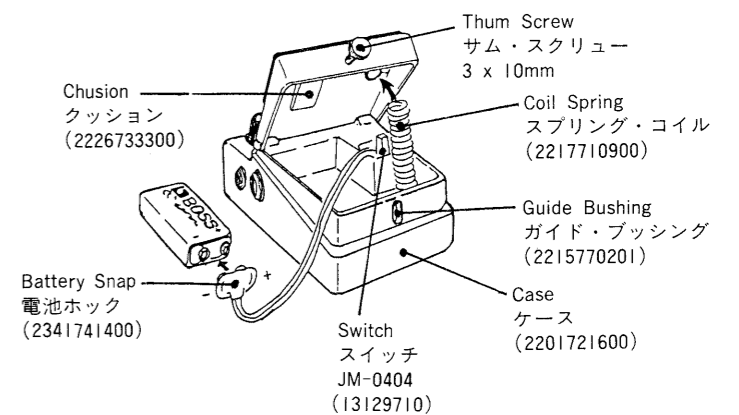
CONSIDERATIONS ON PARTS ORDERING			
QTY	PART NUMBER	DESCRIPTION	MODEL NUMBER
Ex. 10	22575241	Sharp Key	C-20/50
15	2247017300	Knob (orange)	DAC-15D
Failure to completely fill the above items with correct number and description will result in delayed or even undelivered replacement.			
パーツ発注に関するお願い			
オーダーシートには、必ず下記の4項目は正確に記入して下さい。(例外は除く)			
必要数	パーツナンバ	品名	使用機種
例) 10	22575241	Sharp Key	C-20/50
15	2247017300	Knob (orange)	DAC-15D
もし記入漏れ、誤記等がある場合、必要部品が発送出来なかったり、大幅な遅れの原因になります。御協力をお願いします。			
<b>CASING</b>			
2201721600	Case		
2221758900	Panel		
2202785100	Cover	Bottom	
2235730500	Base	Bottom	
2218755900	Pedal		
2235730400	Pedal Mat		
<b>KNOB</b>			
2247738600		grey	
or 2247038600			
<b>PCB ASSY</b>			
7524451000	ET BOARD(pcb 2292755600 1/2)		
	Replacement ET Board includes VR Board.		
	VR Board (pcb 2292755600 2/2)		
7524452000	JK BOARD(pcb 2292768700)		
*****	LED BOARD(pcb 2291049600)		
<b>IC</b>			
15189136	M5218L(Op amp)		IC1,5 on the ET Board
15189185	M5223L(Op amp)		IC4 on the ET Board
15219205	MN3007 (BBD)		IC2 on the ET Board
15169504	MN3101 (BBD driver)		IC3 on the ET Board
<b>TRANSISTOR</b>			
15129108	2SC945P		Q4,5,6,7,8,9 on the ET Board
or 15129129	2SC1685R		
15129120	2SC2240GR		Q3,10 on the ET Board
15139101	2SK30ATM-Y (FET)		Q1,2 on the ET Board
<b>DIODE</b>			
15019103	1N4148		D2,5,6,7,8,10 on the ET Board
or 15019103	1S2473		
15019209TO	1N4004		D1 on the ET Board
or 15019209TO	S5500G		
15019507	RD3.0EB1 (zener)		D3,4 on the ET Board
15019526	RD5.6EB3 (zener)		D9 on the ET Board
15029198	202HD		LED on the LED Board
or 15029198	LN-28RP		
<b>JACK</b>			
13449711	HEC0470-01-630		AC adaptor INPUT
13449104	SG-7713 #5		OUTPUT A,B
13449150	HLJ0544-01-010		
<b>SWITCH</b>			
13129710	JM-0404		
<b>POTENTIOMETER</b>			
13279917RT	RK0971110010 100kB		DEPTH
13279918RT	RK0971110011 250kC		E.LEVEL, EQ, RATE
<b>MISCELLANEOUS</b>			
2215770201	Guide Bushing		
2226733300	Cushion		
2217710900	Coil Spring		
2341741400	Battery Snap		
2216756000	Plastic Sheet (clear)		ET Board - Cover(bottom)
2213070900	Jack Spacer		AL
<b>ACCESSORY</b>			
12569103RT	9V Battery (Including)		
*****	Owner's Manual(English)		
	(Japanese)		
*****	Thumb screw 3x8 mm		



Part number of knob(grey) is all 2247738600 or 2247038600  
つまみ(灰色)のパーツナンバーは、2247738600または2247038600です。

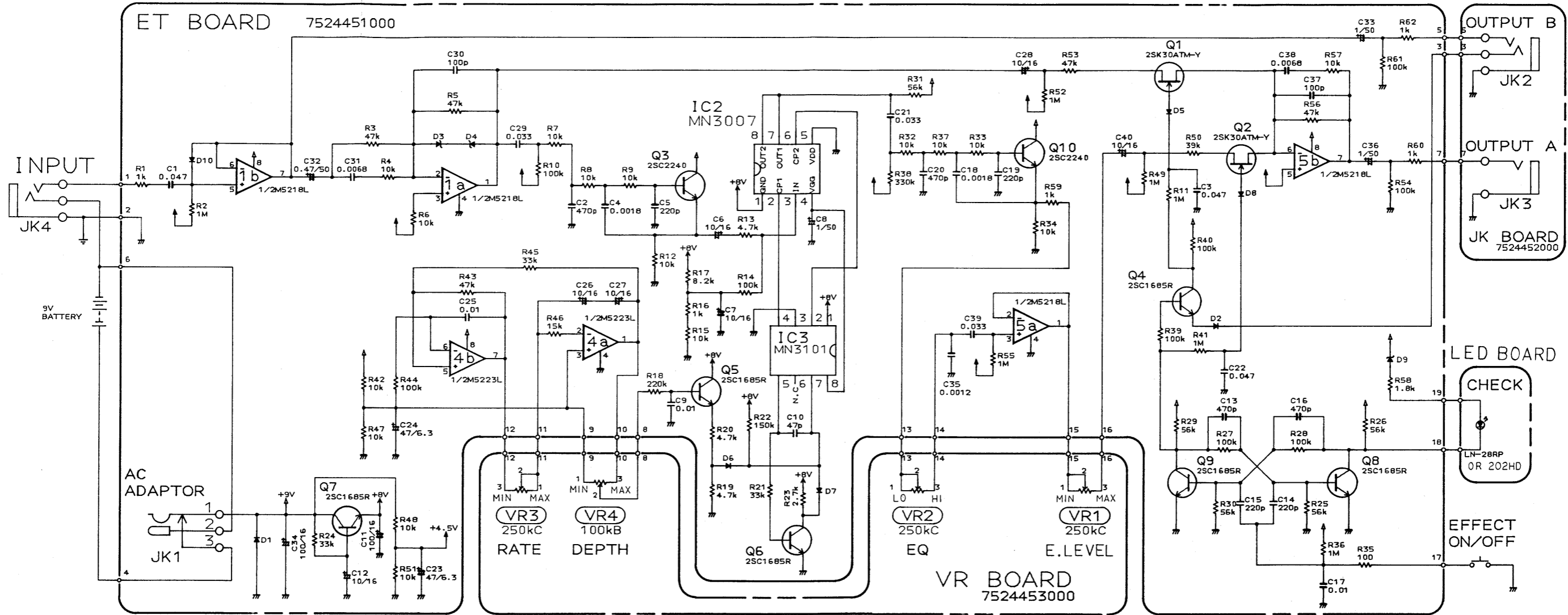
### EXPLODED VIEW

(分解図)



1 2 3 4 5 6 7 8 9 10 11 12 13 14 15 16 17 18 19 20 21 22 23 24 25 26 27 28 29 30 31 32 33 34 35 36 37 38 39 40

# CIRCUIT BOARD



Voltage	+9V	+8V	+4.5V
Symbol	↑	↑	↑

- IC1: 5:M5218L
- IC2: MN3007
- IC3: MN3101
- IC4: M5223L
- Q1, 2: 2SK30ATM-Y
- Q3, 10: 2SC2240
- Q4, 5, 6, 7, 8, 9: 2SC1685R or 2SC945
- D1: 1N4004 or S5500G
- D2, 5, 6, 7, 8, 10: 1N4148 or 1S2473
- D3, 4: RD3.0EB1
- D9: RD5.6EB3

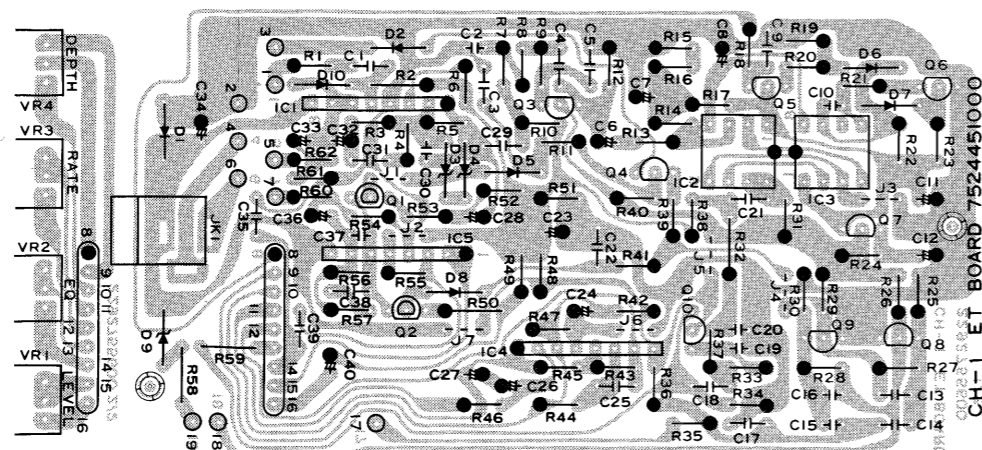
## ET BOARD

ASSY 7524451000  
(pcb 22920556RT)

REPLACEMENT ET Board includes VR Board.  
補修用基板は、VR基板を含みます。

## ET BOARD

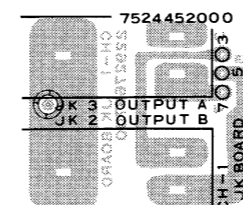
## VR BOARD →



View from components side

## JK BOARD

ASSY 7524452000  
(pcb 22920687RT)



View from components side