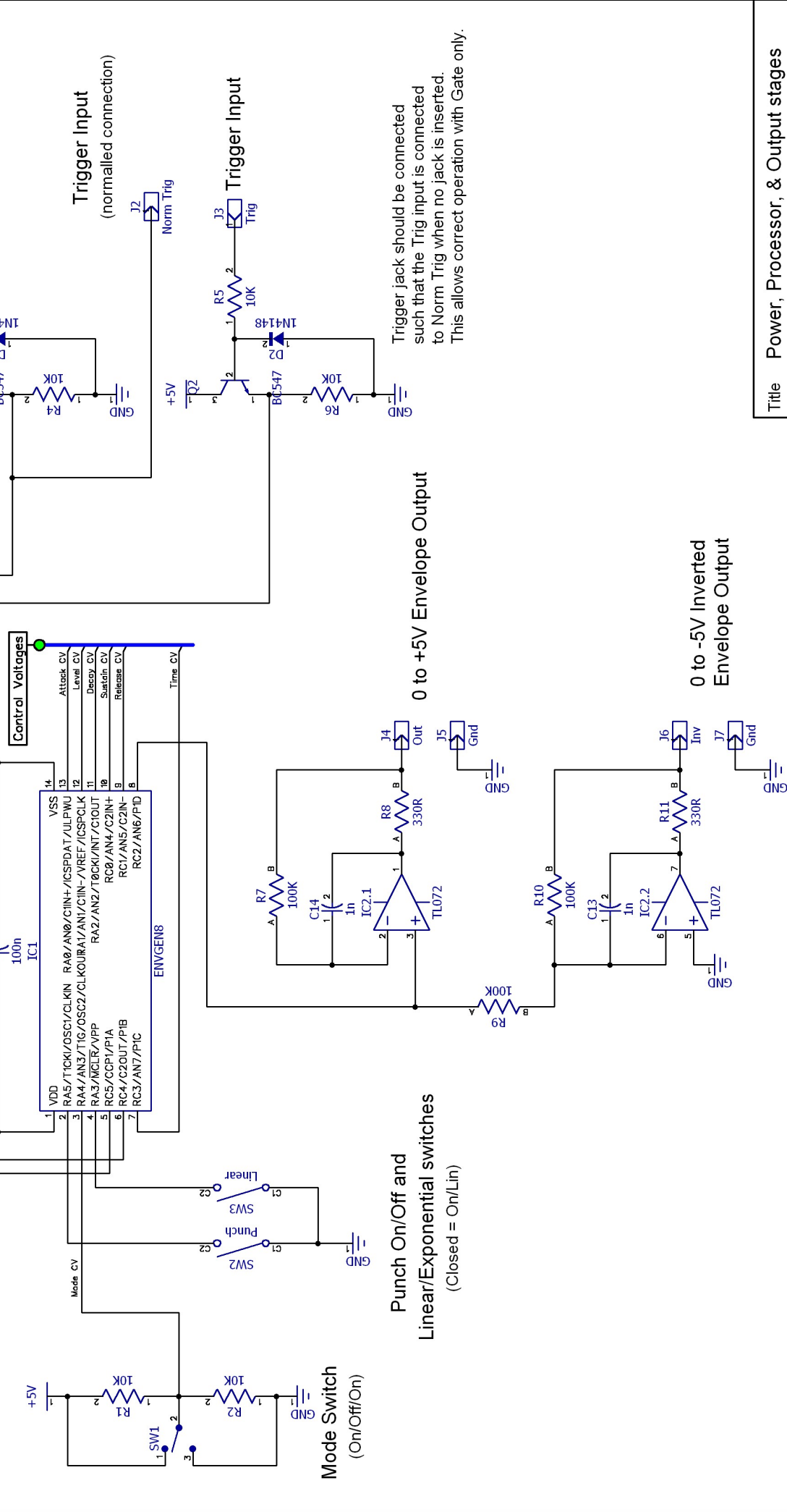




www.electricdruid.net



Gate Input

Trigger Input
(normalised connection)

0 to +5V Envelope Output

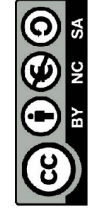
0 to -5V Inverted Envelope Output

Punch On/Off and Linear/Exponential switches
(Closed = On/Lin)

Mode Switch
(On/Off/On)

Trigger jack should be connected such that the Trig input is connected to Norm Trig when no jack is inserted. This allows correct operation with Gate only.

| | | | |
|-------|---------------------|-----------------------------------|--------------|
| Title | | Power, Processor, & Output stages | |
| Size | Model | Rev | 1 |
| A4 | ENVGEN8 | | |
| Date | Drawn by | | TMW |
| File | ModSynthENVGEN8.dch | | Sheet 1 of 3 |



Electric Druid Modular Synth Envelope

Shared under a CC BY-NC-SA 4.0 license. Some rights reserved.

1

2

3

4

1

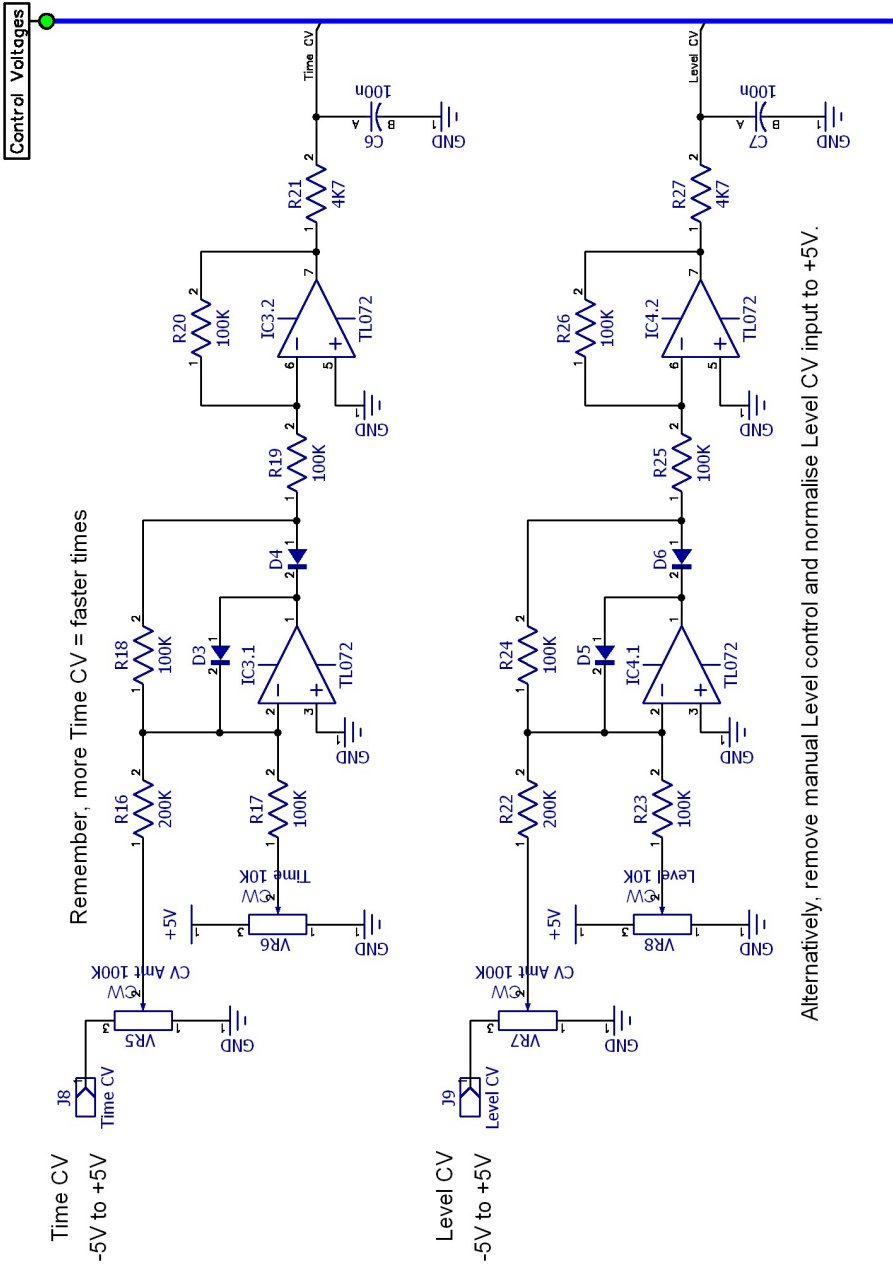
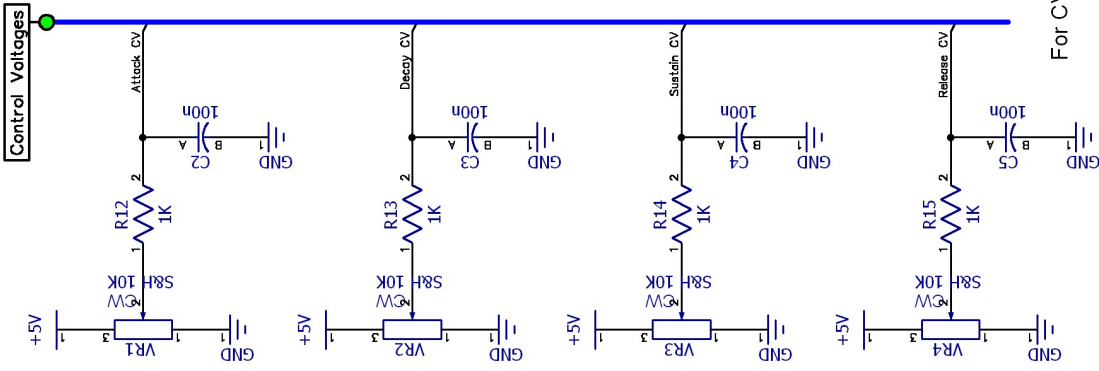
2

3

4



www.electricdruid.net



For CV control of A,D,S,R, repeat the Time CV circuit four more times.

Electric Druid Modular Synth Envelope

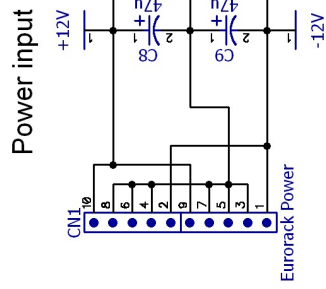
Shared under a CC BY-NC-SA 4.0 license. Some rights reserved.



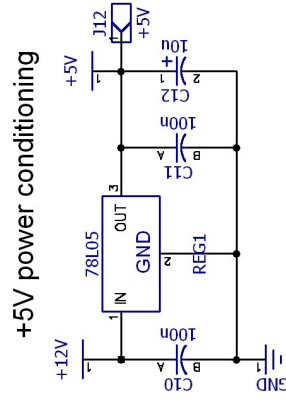
| | | | |
|-------|---------------------|------------------------|--------|
| Title | | Controls and CV inputs | |
| Size | Model | Rev | |
| A4 | ENVGEN 8 | 1 | |
| Date | Drawn by | | TMW |
| File | ModSynthENVGEN8.dch | | Sheet |
| | | | 2 of 3 |



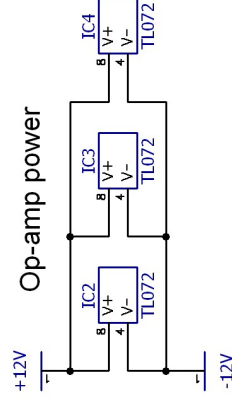
www.electricdruid.net



Power input



+5V power conditioning



Op-amp power

Electric Druid Modular Synth Envelope
Shared under a CC BY-NC-SA 4.0 license. Some rights reserved.



Title Power circuit

Size A4

Model ENVGEN 8

Rev 1

Date 31 Jul 2019 Drawn by TMW

File ModSynthENVGEN8.dch Sheet 3 of 3